



Roborock Robotic Vacuum Cleaner Manual

Please read this manual carefully before using the product and keep it properly

Safety Information

IMPORTANT SAFETY INSTRUCTIONS

When using an electrical appliance, basic precautions should always be followed, including the following:
READ ALL INSTRUCTIONS BEFORE USING (THIS APPLIANCE), Failure to follow the warnings and instructions may result in electric shock, fire and/or serious injury.

WARNING

To reduce the risk of fire, electric shock, or injury:

- Do not use outdoors or on wet surfaces
- Do not allow to be used as a toy. Close attention is necessary when used by or near children, pets or plants.
- Use only as described in this manual. Use only manufacturer's recommended attachments
- Do not use with damaged cord or plug. If appliance is not working as it should, has been dropped, damaged, left outdoors, or dropped into water, return it to a service center.
- Do not pull or carry by cord, use cord as a handle, close a door on cord, or pull cord around sharp edges or corners.
- Do not run appliance over cord. Keep cord away from heated surfaces.
- Do not unplug by pulling on cord. To unplug, grasp the plug, not the cord.
- Do not handle charger, including charger plug, and charger terminals with wet hands
- Do not put any object into openings. Do not use with any opening blocked; keep free of dust, lint, hair, and anything that may reduce air flow.
- Keep hair, loose clothing, fingers, and all parts of body away from openings and moving parts.
- Do not use to pick up flammable or combustible liquids, such as gasoline, or use in areas where they may be present.
- Do not pick up anything that is burning or smoking, such as cigarettes, matches, or hot ashes.
- Do not use without dust bag.
- Prevent unintentional starting. Ensure the switch is in the off-position before connecting to battery pack, picking up or carrying the appliance. Carrying the appliance with your finger on the switch or energizing appliance that have the switch on invites accidents.

Safety Information

- For use only with roborock CDZ02RR or CDZ06RR charger. Recharge only with the charger specified by the manufacturer. A charger that is suitable for one type of battery pack may create a risk of fire when used with another battery pack.
- Use appliances only with specifically designated battery packs. Use of any other battery packs may create a risk of injury and fire.
- Under abusive conditions, liquid may be ejected from the battery; avoid contact. If contact accidentally occurs, flush with water. If liquid contacts eyes, additionally seek medical help. Liquid ejected from the battery may cause irritation or burns.
- Do not use a battery pack or appliance that is damaged or modified. Damaged or modified batteries may exhibit unpredictable behavior resulting in fire, explosion or risk of injury.
- Do not expose a battery pack or appliance to fire or excessive temperature. Exposure to fire or temperature above 130°C may cause explosion.
- Follow all charging instructions and do not charge the battery pack or appliance outside of the temperature range specified in the instructions. Charging improperly or at temperatures outside of the specified range may damage the battery and increase the risk of fire.
- Have servicing performed by a qualified repair person using only identical replacement parts. This will ensure that the safety of the product is maintained.
- Do not modify or attempt to repair the appliance or the battery pack except as indicated in the instructions for use and care.
- Place the cords from other appliances out of the area to be cleaned.
- Do not operate the vacuum in a room where an infant or child is sleeping.
- Do not operate the vacuum in an area where there are lit candles or fragile objects on the floor to be cleaned.
- Do not operate the vacuum in a room that has lit candles on furniture that the vacuum may accidentally hit or bump into.
- Do not allow children to sit on the vacuum.

Safety Information

- Do not use the vacuum cleaner on a wet surface.
Risk Of Injury. Brush May Start Unexpectedly. Disconnect the main Brush Before Cleaning or Servicing.
- Do not use the product when the temperature is higher than 40°C or lower than 4°C, or there is any liquid or sticky substance on the floor

SAVE THESE INSTRUCTIONS

Household use only

IMPORTANTES MESURES DE S CURIT

L'utilisation d'un appareil électrique demande certaines précautions:

LIRE TOUTES LES INSTRUCTIONS AVANT DE FAIRE FONCTIONNER (CETAPPAREIL), Le non-respect des mises en garde et des instructions peut causer des chocs électriques, des incendies et/ou des blessures graves.

AVERTISSEMENT

- Pour réduire les risques d'incendie, de choc électrique ou de blessure:
- Ne pas exposer à la pluie, Ranger à l'intérieur.
- Ne pas permettre aux enfants de jouer avec l'appareil. Une attention particulière est nécessaire lorsque l'appareil est utilise par des enfants ou à proximité de ces derniers.
- N'utiliser que conformément à cette notice avec les accessoires recommandés par le fabricant.
- Ne pas utiliser si le cordon ou la fiche est endommagé. Retourner l'appareil à un atelier de réparation s'il ne fonctionne pas bien, s'il est tombé ou s'il a été endommagé, oublié à l'extérieur ou immergé.
- Ne pas tirer soulever ni trainer l'appareil par le cordon. Ne pas utiliser le cordon comme une poignée, le coincer dans l'embrasure d'une porte ou l'appuyer contre des arêtes vives ou des coins. Ne pas faire rouler l'appareil sur le cordon. Garder le cordon à l'écart des surfaces chaudes.
Ne pas débrancher en tyrant sur le cordon. Tirer plutt la fiche.

Safety Information

- Ne pas manipuler le chargeur, y compris la prise du chargeur, et les bornes du chargeur avec les mains mouillées
- N'insérer aucun objet dans les ouvertures. Ne pas utiliser l'appareil lorsqu'une ouverture est bloquée. S'assurer que de la poussière, de la peluche, des cheveux ou d'autres matières ne réduisent pas le débit d'air. Maintenir les cheveux, les vêtements amples, les doigts et toutes les parties du corps à l'écart des ouvertures et des pièces mobiles.
- User de prudence lors du nettoyage des escaliers.
- Ne pas aspirer des liquides inflammables ou combustibles, comme de l'essence, et ne pas faire fonctionner dans des endroits où peuvent se trouver de tels liquides.
- Ne pas aspirer de matières en combustion ou qui dégagent de la fumée, comme des cigarettes, des allumettes ou des cendres chaudes.
- Ne pas utiliser l'appareil si le sac à poussière ou le filtre n'est pas en place.
- Éviter une mise en marche accidentelle. S'assurer que l'interrupteur est à la position arrêt avant de raccorder la batterie, de lever ou de déplacer l'appareil. Transporter l'appareil en gardant un doigt sur l'interrupteur, ou mettre sous tension un appareil dont l'interrupteur est à la position marche peut causer un accident.
- Pour emploi seulement avec roborock CDZ02RR or CDZ06RR chargeur. Recharger uniquement avec le chargeur prescrit par le fabricant. Un chargeur convenant à un type de batterie peut présenter un risque d'incendie lorsqu'il est utilisé avec une autre batterie.
- Utiliser uniquement les batteries recommandées pour l'appareil. L'utilisation d'autres types de batteries peut présenter un risque de blessure ou d'incendie.
- Lorsque l'appareil n'est pas utilisé, tenir la batterie loin d'objets métalliques comme des trombones, des pièces de monnaie, des clés, des clous, des vis ou autres petits objets qui pourraient établir une liaison entre les bornes. Un court-circuit des bornes des batteries peut causer des brûlures ou un incendie.
- En condition d'usage abusif, du liquide peut s'échapper de la batterie ; éviter tout contact avec ce liquide. En cas de contact accidentel, rincer abondamment avec de l'eau. En cas de contact avec les yeux, consulter également un médecin. Le liquide projeté peut causer des irritations ou des brûlures.

Safety Information

- Ne pas utiliser une batterie ou un appareil endommagé ou qui a été modifié. Des batteries endommagées ou modifiées peuvent avoir un comportement imprévisible pouvant causer un incendie, une explosion ou un risque de blessure.
- Ne pas exposer une batterie ou un appareil à la flamme ou à des températures excessives. L'exposition à une flamme ou à des températures supérieures à 130 °C peut causer une explosion.
- Respecter toutes les instructions de chargement et ne pas charger la batterie ou l'appareil à des températures qui ne sont pas incluses dans la gamme de températures indiquées dans la notice d'instructions.
Un chargement mal effectué.
- Confier les réparations à une personne qualifiée qui utilisera uniquement des pièces de remplacement identiques. Cette façon de faire garantira la sécurité du produit.
- Ne pas modifier ni tenter de réparer l'appareil ou la batterie sauf comme il est indiqué dans les instructions d'utilisation et d'entretien.
- Éloigner les cordons d'autres appareils de la zone à nettoyer.
- Ne pas utiliser l'aspirateur dans une pièce où un nourrisson ou un enfant dort.
- Ne pas utiliser l'aspirateur dans un endroit où il ya des bougies allumées ou des objets fragiles sur le plancher à nettoyer.
- Ne pas utiliser l'aspirateur dans une pièce où il ya des bougies allumées sur les meubles que l'aspirateur peut heurter ou se cogner accidentellement.
- Ne pas laisser les enfants s'asseoir sur l'aspirateur.
- Ne pas utiliser l'aspirateur sur une surface mouillée.
Risque de blessures. La brosse motorisée peut se mettre en marche d'une manière imprévue.
- Déconnecter la brosse principale avant le nettoyage ou le service.

CONSERVER CES INSTRUCTIONS

Usage Domestique seulement

Laser Safety

Class I Laser Product, complies with FDA 21 CFR 1040.10 and 1040.11, except for deviations pursuant to Laser Notice No.50, dated June 24, 2007.

FCC Statement

Compliance Information	
Product Name	Robotic Vacuum Cleaner with Dock Charger
Produce Model	Robotic Vacuum Cleaner Model: S5*****(* can be 0 to 9,A to Z, a to z, "-", "_", "\", "/" or blank, for marketing purpose.) Dock Charger Model: CDZ02RR, CDZ06RR
Compliance Statement	This device complies with part 15 of the FCC Rules. Operation is subject to the following two conditions: (1) This device may not cause harmful interference, and (2) this device must accept any interference received, including interference that may cause undesired operation
Correspondence of the responsible party in USA	
Company	Roborock Technology Co.
Address	108 West 13th Street, Wilmington, Delaware 19801.
Email	support@roborock.com

Warning:

Any changes or modifications to this unit not expressly approved by the party responsible for compliance could void the user's authority to operate the equipment.

Le pr é sent appareil est conforme aux CNR d'Industrie Canada applicables aux appareils radio exempts de licence. L'exploitation est autoris é e aux deux conditions suivantes :

- (1) l'appareil ne doit pas produire de brouillage, et
- (2) l'utilisateur de l'appareil doit accepter tout brouillage radio é lectrique subi, m ê me si le brouillage est susceptible d'en compromettre le fonctionnement.

FCC Statement

Changes or modifications not expressly approved by the party responsible for compliance could void the user's authority to operate the equipment.

This equipment has been tested and found to comply with the limits for a Class B digital device, pursuant to part 15 of the FCC Rules. These limits are designed to provide reasonable protection against harmful interference in a residential installation. This equipment generates uses and can radiate radio frequency energy and, if not installed and used in accordance with the instructions, may cause harmful interference to radio communications. However, there is no guarantee that interference will not occur in a particular installation. If this equipment does cause harmful interference to radio or television reception, which can be determined by turning the equipment off and on, the user is encouraged to try to correct the interference by one or more of the following measures:

- Reorient or relocate the receiving antenna.
- Increase the separation between the equipment and receiver.
- Connect the equipment into an outlet on a circuit different from that to which the receiver is connected.
- Consult the dealer or an experienced radio/TV technician for help.

MPE Requirements

To satisfy FCC / IC RF exposure requirements, a separation distance of 20 cm or more should be maintained between the antenna of this device and persons during device operation.

To ensure compliance, operations at closer than this distance is not recommended.

L'antenne installée doit être située de façon à ce que la population ne puisse être exposée à une distance de moins de 20 cm. Installer l'antenne de façon à ce que le personnel ne puisse approcher à 20 cm ou moins de la position centrale de l'antenne. La FCC des États-Unis stipule que cet appareil doit être en tout temps éloigné d'au moins 20 cm des personnes pendant son fonctionnement.

CAN ICES-3 (B)/NMB-3(B)

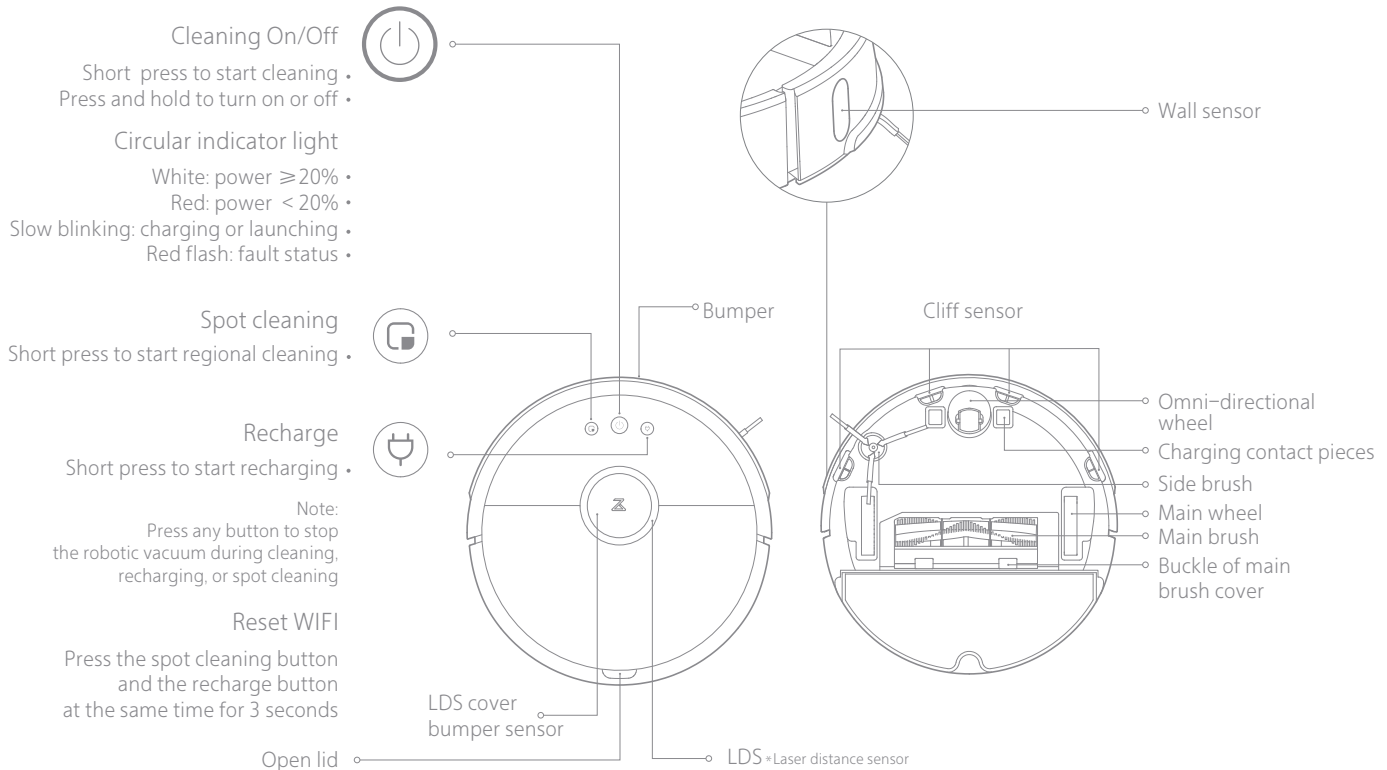
Battery and Charging

- Please keep the dock charger away from heat (such as heating plates)
- The battery must be removed from the appliance before it is scrapped
- The appliance must be disconnected from the supply mains when removing the battery
- The battery is to be disposed of safely. Please do not discard waste batteries. Leave them to a professional recycling organization
- Do not wipe or clean the chargers shrapnel with a piece of wet cloth or wet hands
- Please make sure the cleaner is powered off in shipment and original packaging is advised
- If left unused for a long period, please store the cleaner in a cool and dry place after having it fully charged and switched off, charge it at least every three months to avoid the battery being over discharged
- Please do not use the product when the temperature is higher than 40°C or lower than 4°C, or there is any liquid or sticky substance on the floor

Battery pack charging temperature		4°C~40°C	@Max Charging Current:0.5C
Battery pack using temperature		4°C~40°C	@Max Discharge Current:0.5C
Battery pack storage temperature	Storage(1month)	-20°C~60°C @Less than 70% RH	If the battery pack store at 25°C over the 3 months period, it should be recharged.
	Long Storage(3months)	-20°C~45°C @Less than 70% RH	
	Long Storage(1year)	-20°C~20°C @Less than 70% RH	

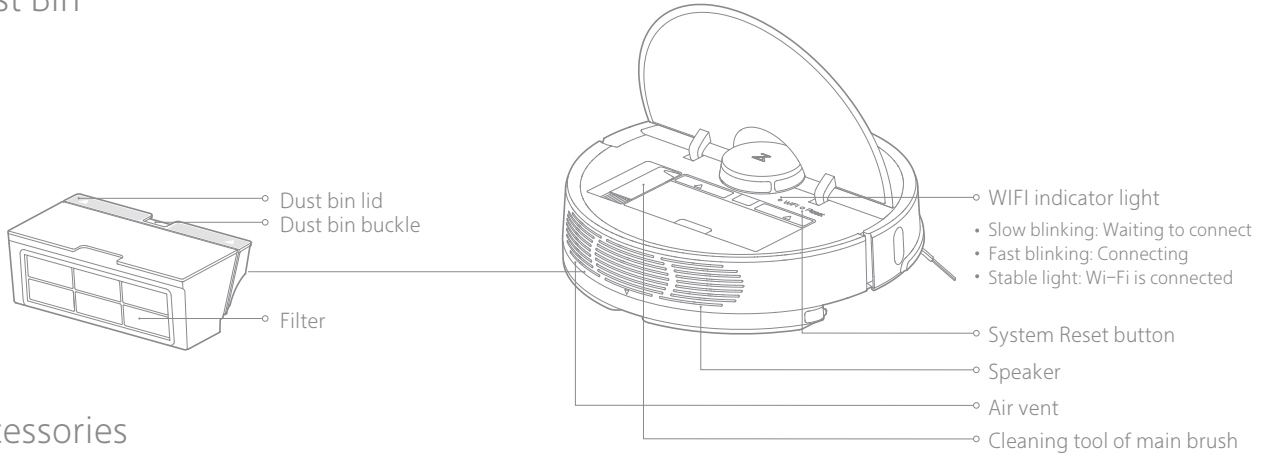
Product Introduction

Main Unit



Product Introduction

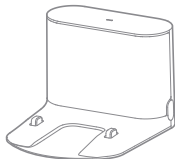
Dust Bin



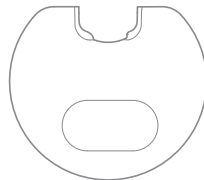
Accessories



Water tank



Dock charger



Moistureproof mat



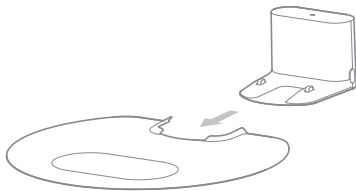
Mopping cloth



Power cable

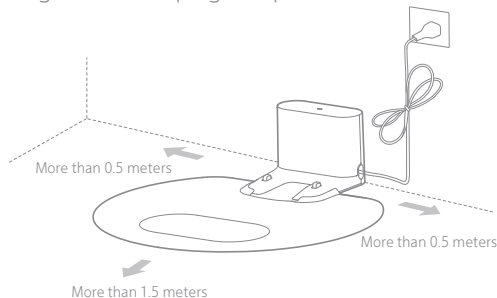
Installation

- 1 Plug the dock charger into the interface of the moistureproof mat, and make sure it's firmly installed.



This moistureproof mat can keep the floor dry


- 2 Keep the dock charger on a level surface, flat against a wall, plug into power outlet.



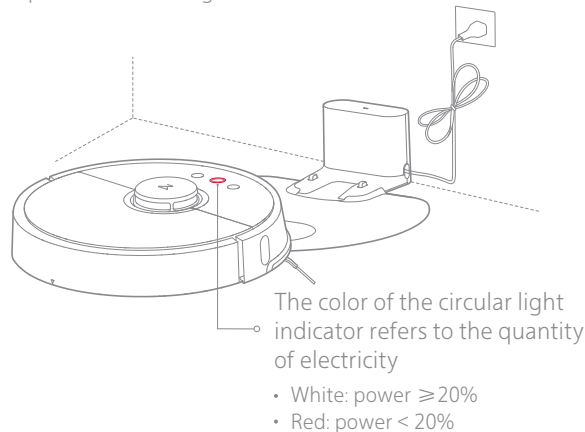
Note:

- Ensure to leave enough space to the dock charger (0.5 meters on both sides, more than 1.5 meters in the front).
- It will cause unexpected power outages and/or dock charger displacement if the power cable is dragged by main unit accidentally due to disorganized placed.
- The dock charger indicator is on after it's plugged into power outlet, the indicator is off when main unit is being charged.

- 3 Turn on and charge the machine

Press and hold the button  to turn on the main unit, wait until the indicator light is on for a while, then place the main unit on the dock charger to charge.

The machine is equipped with a built-in high performance lithium-ion rechargeable battery pack. To maintain battery performance, please keep the machine charged for normal use.



Note: Robotic vacuum cleaner may not be powered on when battery is low connect the robotic vacuum cleaner to the dock charger.

- 4 Connect your mobile phone client (this can be skipped)

Installation

The product is compatible with Mi Home intelligent platform and could be controlled by Mi Home app. It supports the MIUI system and can be interconnected with other Mi Home intelligent products

Quick Setup

① Download App

Search "Mi Home" in App store/Google play or scan the QR code below to download and install the Mi Home app.





② Add Device

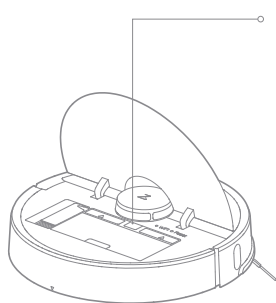
Go to "My Device" page of Mi Home app and tap "+" on the top right corner of the page to add a device. You could find newly added device on "My Device" list

③ Reset WIFI

If anything is wrong with WIFI connection, you could try to reset WIFI to default.

Open upper cover to check the WIFI indicator status next to reset button. Press and hold the  key and  key until you hear the voice "Reset WIFI ". The resetting is completed when the WIFI indicator starts to flash slowly and the cleaner will enter a pending connection state.

Installation



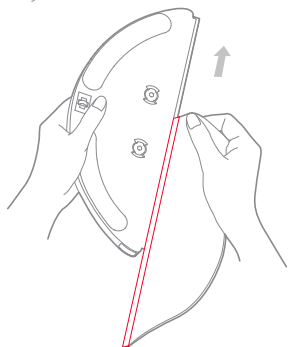
WiFi indicator light

- Slow blinking: Waiting to connect
- Fast blinking: Connecting
- Stable light: WiFi is connected

Note: If the mobile phone fails to connect to the cleaner, please refer to the "Instruction" - "Reset WiFi" operation

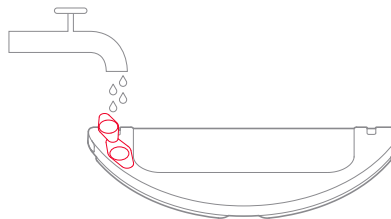
5 Install the mopping module

- ① Install the mopping cloth: Wet the mopping cloth and wring it until it doesn't drip. Insert it into the bottom along the slot of the water tank and stick it firmly.

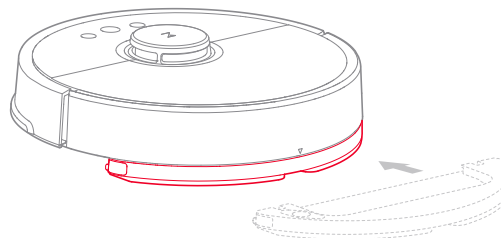


Note: Do not use the mopping module when no one is at home

- ② Fill the water tank: Open the tank lid, fill it with water, and put back the tank lid.




- ③ Install the module: Push in the module along the bottom of the main unit and follow the alignment mark on the mopping module. A click sound means it is installed properly.



Note: In order to achieve a better mopping effect, it is recommended to use the main unit to clean the floor three times before install the mopping module.

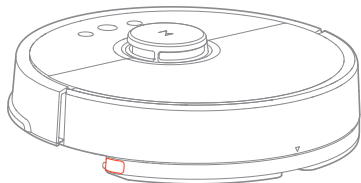
Installation

6 Start cleaning

When the circular indicator light on the main unit changes from slow blinking to stable, it means charging has completed. Briefly press button  or start cleaning through the mobile phone client.

7 Remove the mopping module

When the main unit is back on the dock charger after cleaning, press the buckles on both sides by hand, drag and remove the mopping module.



Note:

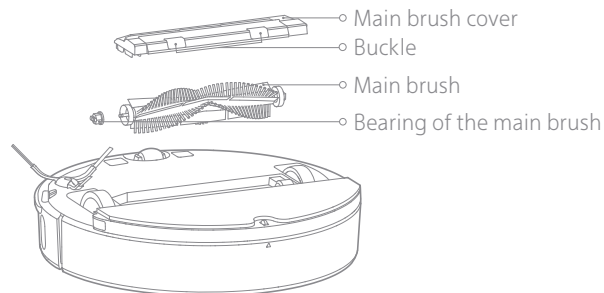
- Please use moistureproof mat if you put the dock charger on wood floor
- Remove tank when charging or not in use

Operating Instruction

Main brush * Clean it every week as recommended

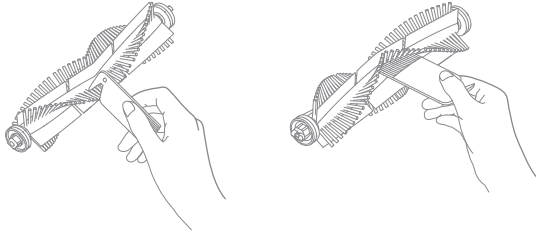
1. Turn over the machine, press the buckle and take off the cover.
2. Take out the main brush in an upwards movement and clean the bearing of the main brush.
3. Use the matching cleaning tool of the main brush to cut off the hairs entangled on the main brush.
4. Install the main brush, press tight the cover and fix the buckle.

Note: It is recommended to replace the main brush every 6-12 months so as to ensure it cleans effectively.

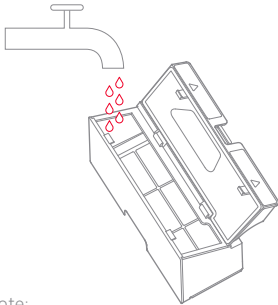


Daily Maintenance

Instruction for using the cleaning tool of the main brush



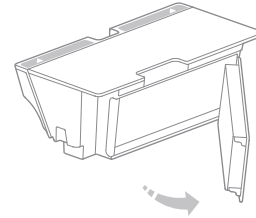
Pour the water into the dust bin, close the dust bin cover, shake the dust bin left and right, pour out the dirty water, repeat this step several times, until the filter clean.



Note:

- Wash the filter by water only, detergents are not allowed to use.
- Please do not use finger or brush to clean the filter to avoid any possible damage.
- Please dry out the filter at least for 24 hours after washing.

Change of filter



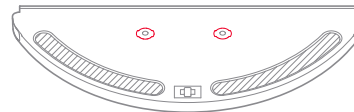
Please remove the filter and replace it as shown in the picture.

Water tank filter element component

* It is recommended to replace it every 1-3 months

1. Use your finger to remove the two filter element component from the gap.
2. Fit the new filter element and make sure it is in the right place.

Note: It is recommended to replace the filter element component every 1-3 months so as to ensure effective cleaning

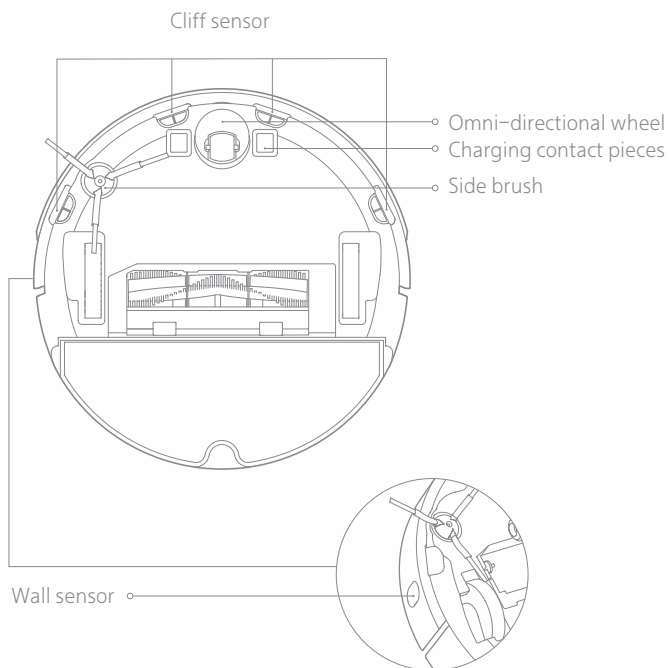


Daily Maintenance

Main Unit Sensor

Wipe the sensors of the main unit with a soft, dry cloth, including:

1. The four cliff sensors at the bottom of the main unit.
2. The wall sensor on the right side of the main unit.
3. The charging contact pieces at the bottom of the main unit.

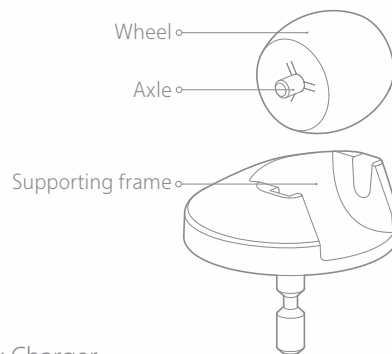


Omni-directional wheel

* It is recommended to clean it every month

1. Turn over the machine and take out the omni-directional wheel by pulling upwards.
2. Clean the hair and dirt off the wheel and the axle.
3. Install the wheel and press it tight.

Note: You may rinse it with tap water and install it after it gets dry




Dock Charger

* It is recommended to clean it every month.

Wipe the battery connectors of the dock charger with a soft, dry cloth.

Restore Factory Settings

If the machine does not function properly after resetting, please hold the button  when the machine is on, and press the reset button at the same time, until you hear the voice prompt "start restoring the initial version", then the main unit has been restored to the factory settings.

Daily Maintenance

Holiday Energy Saving Function

When the cleaner is on the charging dock, hold and press "Recharge" for 10 seconds until you hear a "Ding-dong" sound, and Holiday mode will be activated.

In this mode, the LED indicator will dim, functions that has nothing to do with charging such as cleaning, recharging and remote control via WIFI will be disabled, and the cleaner will enter low power consumption mode to maintain optimal battery performance.

After Holiday mode is activated, you can disable it by holding and pressing "Recharge" for 10 seconds until the LED indicator brightens.

Basic Parameters

Main Unit

Item	Parameters
Size	353 × 350 × 96.5mm
Battery	Lithium-ion battery 14.4V/5200mAh
Weight	3.5kg
Wireless	Smart connect
Rated Voltage	14.4VDC
Rated Power	58W

Dock Charger

Item	Parameters
Size	151 × 130 × 98mm
Rated Power	42W
Rated Input	100-240VAC
Rated Output	20VDC 1.8A
Rated Frequency	50-60Hz



Robotic Vacuum Cleaner

Beijing Roborock Technology Co.,Ltd.

Product Model: S5 ***** (* can be 0 to 9,A to Z, a to z, "-", "_", "\", "/" or blank, for marketing purpose.)

Address: Floor 6, Suite 6016, 6017, 6018, Building C, Kangjian Baosheng Plaza,

No. 8 Heiquan Road, Haidian District, Beijing, P.R. CHINA

For more product information, please visit our website: www.roborock.com

For after-sales support, please email our after-sales service team:

US/Non-Europe Support: support@roborock.com

Europe Support: support@roborock-eu.com