



Roborock Auto-Empty Dock User Manual

Read this user manual carefully before using this product and store it properly for future reference.

1	English
24	Français
50	Español

Contents

1	Safety Information
3	FCC IC Statement
5	Accessories
6	Product Introduction
10	Getting Started
13	Routine Maintenance
21	Basic Parameters
22	FAQs & Troubleshooting
26	Informations de sécurité

Safety Information

IMPORTANT SAFETY INSTRUCTIONS

When using an electrical appliance, basic precautions should always be followed, including the following: READ ALL INSTRUCTIONS BEFORE USING (THIS APPLIANCE). Failure to follow the warnings and instructions may result in electric shock, fire and/or serious injury.

WARNING

To reduce the risk of fire, electric shock, or injury:

- Do not use outdoors or on wet surfaces.
- Do not allow to be used as a toy. Close attention is necessary when used by or near children, pets or plants.
- Use only as described in this manual. Use only manufacturer's recommended attachments.
- Do not use with damaged cord or plug. If appliance is not working as it should, has been dropped, damaged, left outdoors, or dropped into water, return it to a service center.
- Do not pull or carry by cord, use cord as a handle, close a door on cord, or pull cord around sharp edges or corners.
- Do not run appliance over cord. Keep cord away from heated surfaces.
- Do not unplug by pulling on cord. To unplug, grasp the plug, not the cord.
- Do not handle charger, including charger plug, and charger terminals with wet hands.
- Do not put any object into openings. Do not use with any opening blocked; keep free of dust, lint, hair, and anything that may reduce air flow.
- Keep hair, loose clothing, fingers, and all parts of body away from openings and moving parts.
- Do not use to pick up flammable or combustible liquids, such as gasoline, or use in areas where they may be present.
- Do not pick up anything that is burning or smoking, such as cigarettes, matches, or hot ashes.
- Do not use without dust bag.
- Unplug the appliance before making any adjustments, changing accessories, or storing appliance. Such preventive safety measures reduce the risk of starting the appliance accidentally.
- To reduce the risk of electric shock, this appliance has a polarized plug (one blade is wider than the other). This plug will fit

Safety Information

in a polarized outlet only one way. If the plug does not fit fully in the outlet, reverse the plug. If it still does not fit, contact a qualified electrician to install the proper outlet. Do not change the plug in any way.

- DOUBLE INSULATION
- Do not carry the product using the filter cover.
- Do not use the product when the ambient temperature is higher than 40°C (104°F), lower than 4°C (39°F).
- Place the dock on a flat floor away from fire, heat, and water. Avoid narrow spaces or locations where the robot may be suspended in the air.
- The product must be switched off and the plug must be removed from socket outlet before cleaning or maintaining the product.
- This product is not intended for use by persons (including children) with reduced physical, sensory or mental capabilities, or lack of experience and knowledge, unless they have been given supervision or instruction concerning use of the product by a person responsible for their safety (CB).
- This product can be used by children aged from 8 years and above and persons with reduced physical, sensory or mental capabilities or lack of experience and knowledge if they have been given supervision or instruction concerning use of the product in a safe way and understand the hazards involved. Children shall not play with the product. Cleaning and user maintenance shall not be made by children without supervision (EU).
- Do not use wet cloth or liquids for cleaning the charging contacts.
- Do not dismantle, repair or modify the battery or charging dock.
- If the dock is placed in an area susceptible to thunderstorms or with unstable voltage, take protection measures.
- Keep the charging dock away from heat (such as radiators).

SAVE THESE INSTRUCTIONS

Household use only.

FCC IC Statement

Compliance Information	
Product Name	Auto-Empty Dock
Product Model	AED01LRR, AED02LRR
Compliance Statement	<p>This device complies with part 15 of the FCC Rules. This device contains licence-exempt transmitter(s)/receiver(s) that comply with Innovation, Science and Economic Development Canada's licence-exempt RSS(s). Operation is subject to the following two conditions: (1) This device may not cause harmful interference, and (2) this device must accept any interference received, including interference that may cause undesired operation.</p>
Correspondence of the responsible party in USA	
Company	Roborock Technology Co.
Address	108 West 13th Street, Wilmington, Delaware 19801.
Email	support@roborock.com

FCC IC Statement

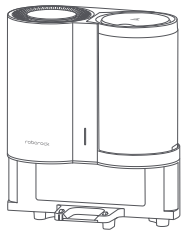
Warning

Any changes or modifications to this unit not expressly approved by the party responsible for compliance could void the user's authority to operate the equipment.

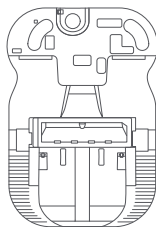
This equipment has been tested and found to comply with the limits for a Class B digital device, pursuant to part 15 of the FCC Rules. These limits are designed to provide reasonable protection against harmful interference in a residential installation. This equipment generates uses and can radiate radio frequency energy and, if not installed and used in accordance with the instructions, may cause harmful interference to radio communications. However, there is no guarantee that interference will not occur in a particular installation. If this equipment does cause harmful interference to radio or television reception, which can be determined by turning the equipment off and on, the user is encouraged to try to correct the interference by one or more of the following measures:

- Reorient or relocate the receiving antenna.
- Increase the separation between the equipment and receiver.
- Connect the equipment into an outlet on a circuit different from that to which the receiver is connected.
- Consult the dealer or an experienced radio/TV technician for help.

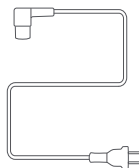
Accessories



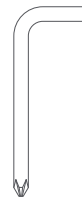
Dock



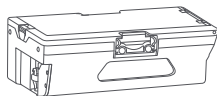
Base



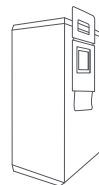
Power Cable



Screwdriver



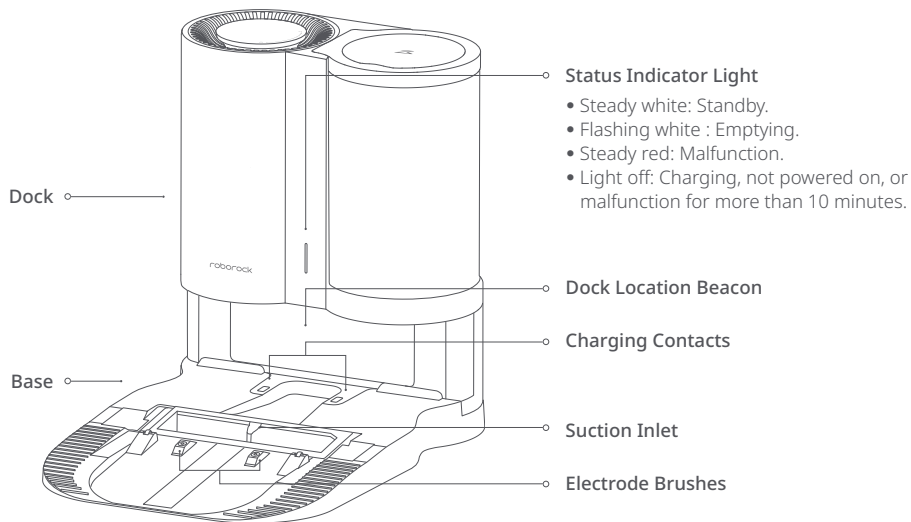
Auto-Empty Dustbin



Disposable Dust Bag

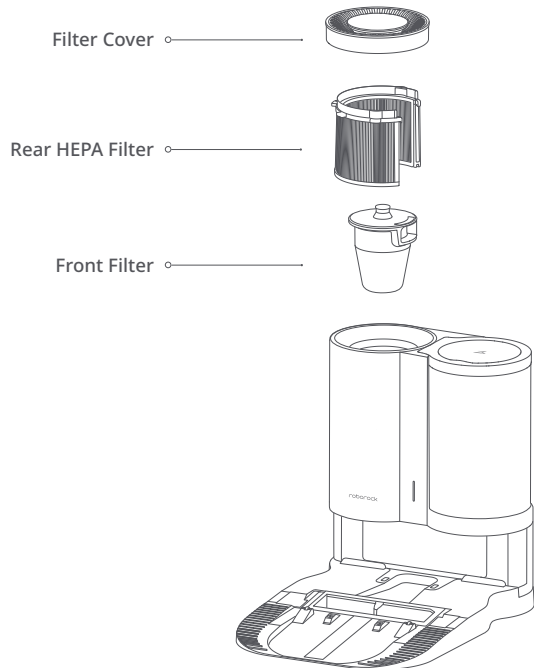
Product Introduction

Auto-Empty Dock

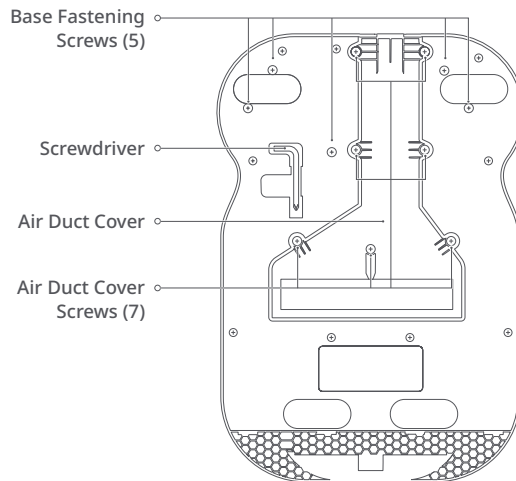


Product Introduction

Auto-Empty Dock



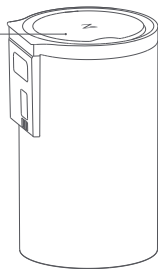
Base



Product Introduction

Dustbin

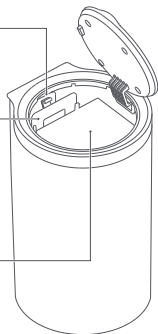
Dustbin Top Lid



Dust Bag Slot

Dust Bag Handle

Disposable Dust Bag

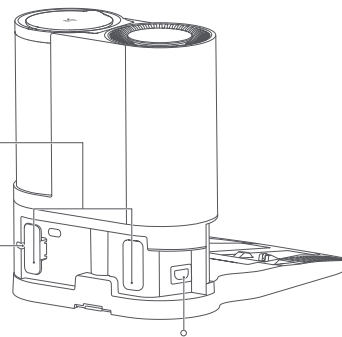


Power Cable Storage Slot

Power Cable Storage Slot

Cable Outlet

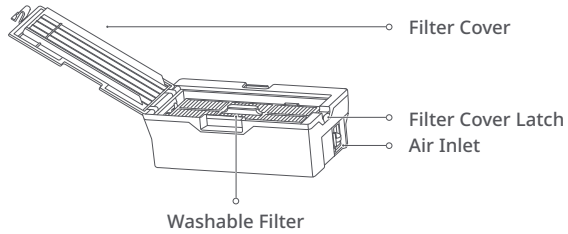
Power Port



Note: Power cable can be pulled out at both sides.

Product Introduction

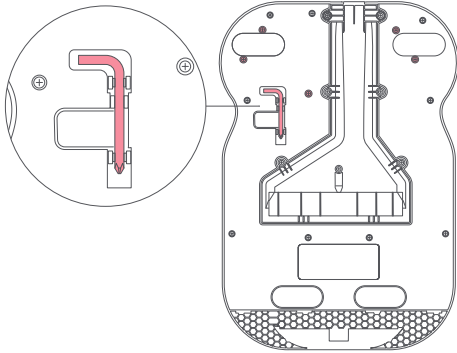
Auto-Empty Dustbin




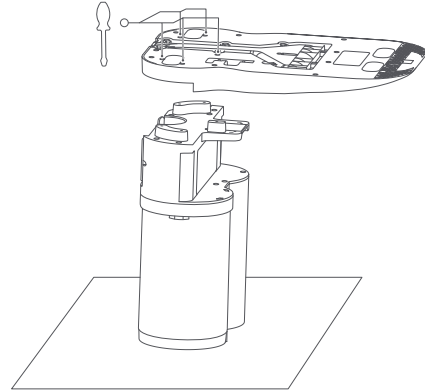
Getting Started

Assembly

1. Take the screwdriver from its storage bin at the bottom of the base.

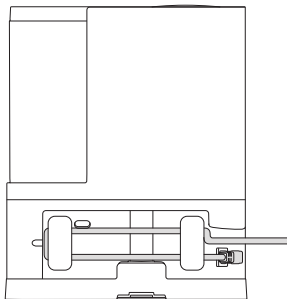


2. Place dock upside down on a soft, flat surface (carpet/towel/ cloth) and attach the base by screwing in five screws in the areas marked with a , as shown.

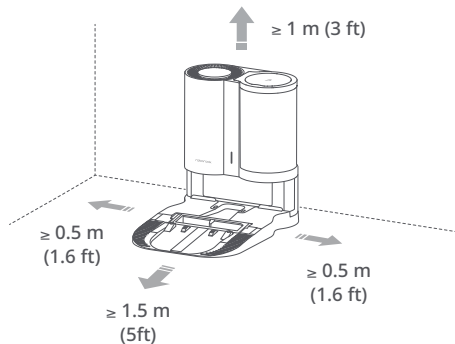


Getting Started

3. Connect the power cable to the dock, and keep excess cable inside the storage slot.



4. Place the dock on a hard and flat floor (wood/tile/concrete etc.). Keep at least 0.5 m (1.6 ft) of clearance on either side, 1.5 m (5 ft) in front, and 1 m (3 ft) above. Check the location has good WiFi then turn on.



Notes:

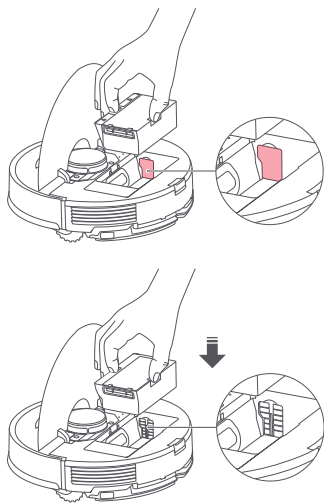
- The status indicator light turns off automatically when the robot is charging.
- The status indicator turns red if an error occurs, and turns off automatically after 10 minutes.
- Do not use without filter, dustbin or dust bag. They are already installed during production. For details on assembly and cleaning, please refer to the "Routine Maintenance" section in this manual.
- Place the dock on a flat floor away from fire, heat, and water. Avoid narrow spaces or locations where the robot may be suspended in the air.
- Placing the dock on a soft surface (carpet/mat) may cause the dock to tilt over and cause problems docking and departing.
- Keep excess power cable inside the storage slot so that the robot will not get tangled in the cables, and the dock will not be dragged away or disconnect from the power supply.
- Keep the dock away from direct sunlight or anything that may block the dock location beacon; otherwise, the robot may fail to return to the dock.
- The Auto-Empty Dock recharges and empties. Store the standard robot dock before use. Failure to do so may cause issues returning to dock.
- Maintain the dock according to the maintenance instructions. Do not clean the dock with a wet cloth.

Getting Started

Robot Dustbin Replacement

1. Only replace with the Auto-Empty Dustbin

1. Remove the original robot dustbin.
2. Remove the plate covering the air inlet in the robot.
3. Put in the auto-empty dustbin



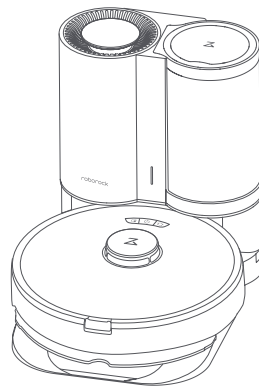
Note: Make sure the dustbin provided with the robot has been replaced with the auto-empty dustbin or it may fail to empty automatically.

2. Auto Emptying

Auto emptying will begin when the robot returns to the auto-empty dock after cleaning.

3. Manual Emptying

Manual emptying can be performed by pressing the DOCK button when the robot is being charged on the dock.



Note: Avoid frequent manual emptying.

4. Stop Emptying

Press any button on the robot to stop emptying.

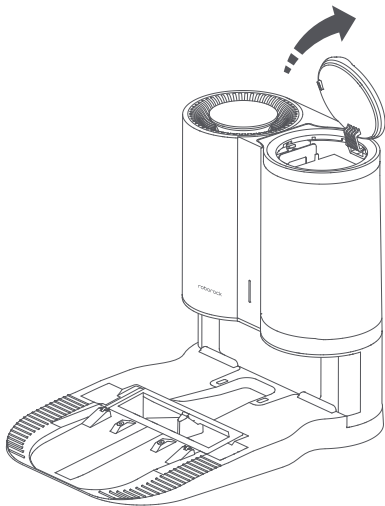
Routine Maintenance

① Dust Bag Replacement * Replace as needed

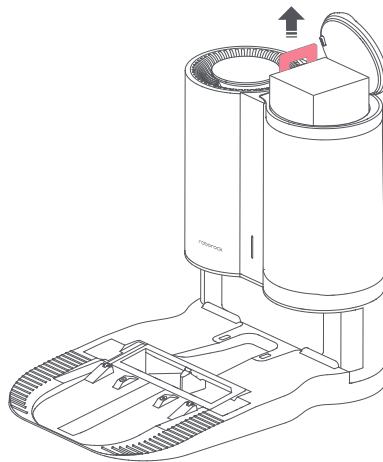
Notes:

- Replace the dust bag regularly or when it is full.
- The disposable dust bag uses a one-time seal design to effectively prevent dust from spreading outward during replacement. If you do not want to discard the dust bag, do not pull out the seal. If the seal is pulled out, it cannot be restored to the original state, which will affect the use of the dust bag.

1. Open the top lid of the dustbin.



2. Remove the dust bag by its handle vertically as shown.

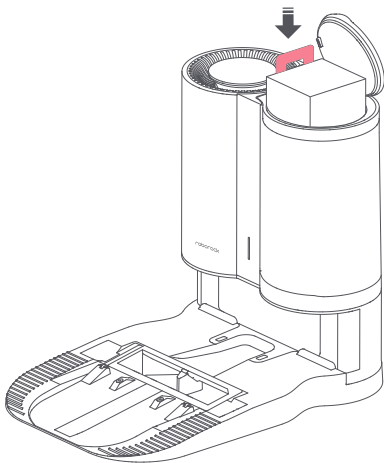


Note: The dust bag handle seals the bag on removal to prevent dust leakage.

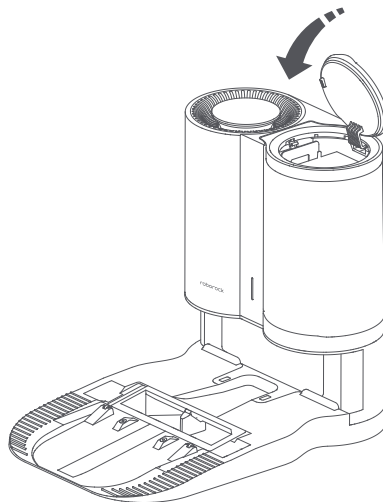
3. Discard the dust bag.

Routine Maintenance

4. Replace the dust bag with a new one. Make sure it is properly installed.



5. Close the top lid of the dustbin and make sure it is securely sealed.



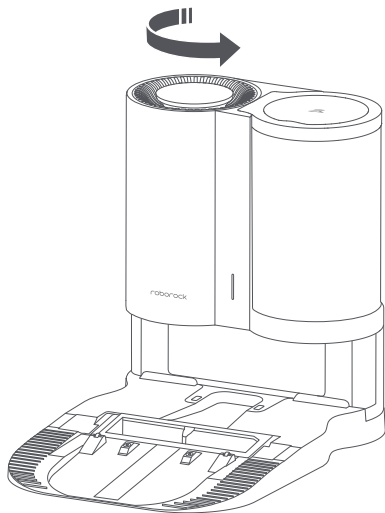
Routine Maintenance

2 Filter Cleaning * Clean as needed

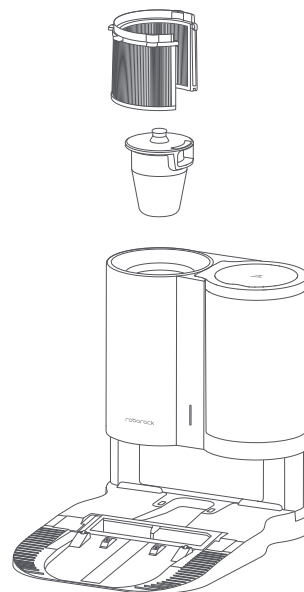
Notes:

- Do not wash the filter in a dishwasher or washing machine, or dry using a cylinder dryer, oven, microwave, hot air or fire.
- Do not touch the surface of the filter with your hands, brush, or hard objects to avoid potential damage.
- Rinse the filter element with clean water. Do not remove it from the front filter.

1. Rotate the filter cover counter-clockwise to remove it.

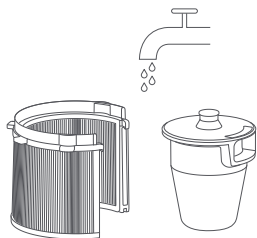


2. Remove the front filter and/or the rear HEPA filter as needed.

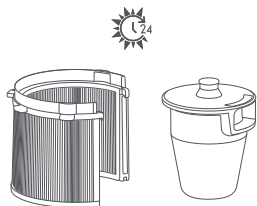


Routine Maintenance

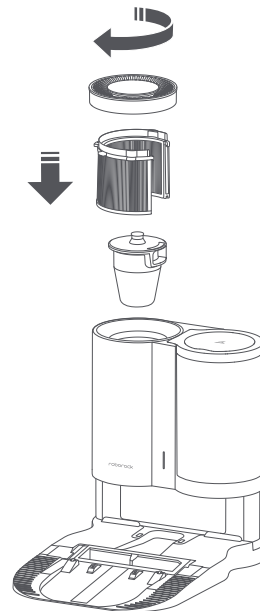
3. Rinse with cold water until clean.



4. Shake off any remaining water and leave the filter to dry for 24 hours or until completely dry.



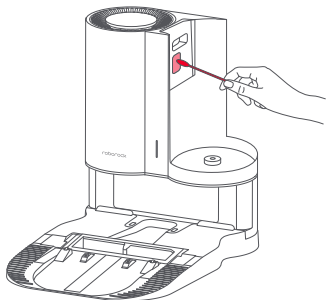
5. Reinstall the dry filter and close the cover.



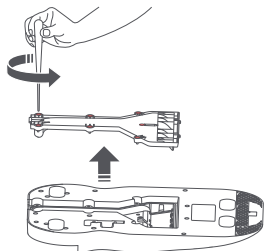
Routine Maintenance

3 Air Duct * Clean as needed

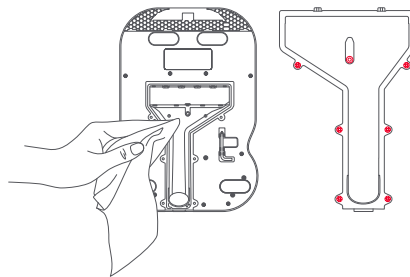
1. Clean the dust inlet with a cotton swab if it gets blocked.



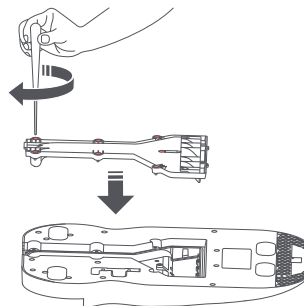
2. Unscrew the screws (7) and remove the cover.



3. Wipe the air duct and cover with a dry cloth.



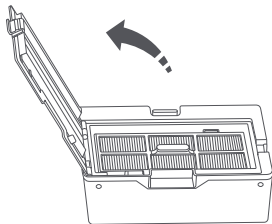
4. Re-install the cover and screw it back in place.



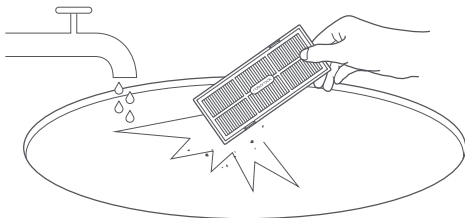
Routine Maintenance

④ Washable Filter * Clean as needed

1. Open the filter cover and remove the filter.

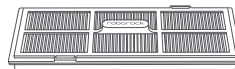


2. Rinse the filter and gently knock out dirt until clean.

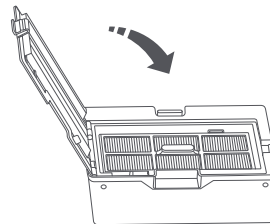


Note: Do not touch the surface of the filter with your hands, brush, or hard objects to avoid possible damage.

3. Leave the filter to dry for at least 24 hours or until completely dry.



4. Re-install the filter and close the cover.



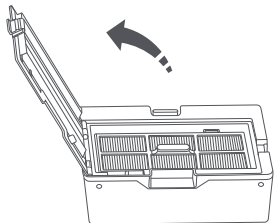
Notes:

- Make sure that the filter is completely dry before use.
- Purchase an additional filter to alternate.

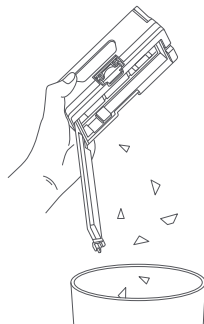
Routine Maintenance

5 Auto-Empty Dustbin Cleaning * Clean as needed

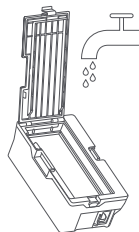
1. Open the filter cover and remove the filter.



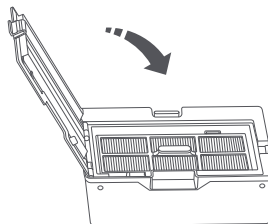
2. Throw out dust and dirt.



3. Rinse the dustbin with cold water until clean.

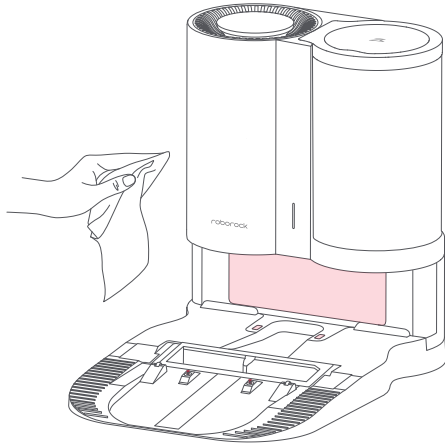


4. Allow the dustbin and filter to dry thoroughly, then re-install.



Routine Maintenance

- ⑥ Clean the dock location beacon, charging contacts, and electrode brushes with a dry cloth. * Clean as needed



Basic Parameters

Auto-Empty Dock	
Dimensions	457×314×383 mm
Name	Auto-Empty Dock
Model	AED01LRR, AED02LRR
Rated Input Voltage	100-120VAC
Rated Frequency	50-60Hz
Rated Power (Charge)	28W
Rated Power (Dust Collection)	1000W
Rated Output	20VDC 1.2A
Charging Battery	14.4V/5200mAh lithium battery

FAQs & Troubleshooting

Operating conditions are indicated by the LED status indicator light on the dock.

Conditions	Possible Causes & Solutions
The LED status indicator light is red, unusual noise when emptying, or emptying is unsatisfactory.	<ol style="list-style-type: none">1. The robot dustbin has not been replaced with the auto-empty dustbin. Use the auto-empty dustbin.2. The plate in the robot covering the air vent has not been removed. Remove the plate.3. The main brush or main brush cover is not properly installed. Check and correct installation.4. The dustbin, filter, air duct, suction inlet, air inlets or dustbin are blocked. Clean to remove blockages.5. The dustbin or filter are not in place. Check and correct installation.6. The top lid of the dustbin is not closed. Close the top lid and make sure it is securely sealed.7. The fan is not operating properly. Potentially due to overheating protection resulting from frequent starting and stopping. Unplug the power cable and try again after 30 minutes.8. Voltage error. Check that local voltage meets the requirements listed on the dock.
Auto-emptying does not start when the robot returns to the dock.	<ol style="list-style-type: none">1. Auto-emptying is disabled. Check in-app settings.2. Dock dustbin not installed. Check and install.3. Auto-emptying will not be triggered if the robot is moved to the dock manually. Allow the robot to return to the dock automatically or start emptying manually.4. The robot will not auto-empty after returning to dock in Do Not Disturb (DND) mode. Adjust cleaning or DND duration, or start emptying manually.5. The battery level is lower than 10%. Charge the robot until the battery reaches 10%.

FAQs & Troubleshooting

Conditions	Possible Causes & Solutions
The robot cannot return to the dock or cannot be charged.	<ol style="list-style-type: none"><li data-bbox="354 221 1290 267">1. The dock is surrounded by obstacles. Clear any obstacles around it or move it to an open area as recommended in the User Manual.<li data-bbox="354 272 1329 318">2. The dock is not connected to a power supply. Make sure the power cable is securely plugged in and power is on.<li data-bbox="354 323 848 346">3. Poor contact. Clean base and dock charging contacts.

If the problem persists after using the recommendations in the table above, please email our after-sales service team:

US/Non-Europe Support: support@roborock.com

Europe Support: support@roborock-eu.com