



Roborock Auto-Empty Dock Pure

User Manual

Read this user manual carefully before using this product and store it properly for future reference.

English	03
Français	16
Español	30

Contents

04	IMPORTANT SAFETY INSTRUCTIONS
04	WARNING
06	FCC/IC Statement
08	Accessories
09	Product Introduction
11	Getting Started
12	Routine Maintenance
14	Basic Parameters
15	FAQs & Troubleshooting
15	Disposal

IMPORTANT SAFETY INSTRUCTIONS

When using an electrical appliance, basic precautions should always be followed, including the following: READ ALL INSTRUCTIONS BEFORE USING (THIS APPLIANCE). Failure to follow the warnings and instructions may result in electric shock, fire and/or serious injury.

WARNING

To reduce the risk of fire, electric shock, or injury:

- Do not use outdoors or on wet surfaces.
- Do not allow to be used as a toy. Close attention is necessary when used by or near children, pets or plants.
- Use only as described in this manual. Use only manufacturer's recommended attachments.
- Do not use with damaged cord or plug. If appliance is not working as it should, has been dropped, damaged, left outdoors, or dropped into water, return it to a service center.
- Do not pull or carry by cord, use cord as a handle, close a door on cord, or pull cord around sharp edges or corners.
- Do not run appliance over cord. Keep cord away from heated surfaces.
- Do not unplug by pulling on cord. To unplug, grasp the plug, not the cord.
- Do not handle charger, including charger plug, and charger terminals with wet hands.
- Do not put any object into openings. Do not use with any opening blocked; keep free of dust, lint, hair, and anything that may reduce air flow.
- Keep hair, loose clothing, fingers, and all parts of body away from openings and moving parts.
- Do not use to pick up flammable or combustible liquids, such as gasoline, or use in areas where they may be present.
- Do not pick up anything that is burning or smoking, such as cigarettes, matches, or hot ashes.
- Do not use without dust bag.
- Unplug the appliance before making any adjustments, changing accessories, or storing appliance. Such preventive safety measures reduce the risk of starting the appliance accidentally.
- Do not carry the product using the dock base or dustbin.
- Do not use the product when the ambient temperature is higher than 40°C (104°F), lower than 4°C (39°F).
- Place the dock on a flat floor away from fire, heat, and water. Avoid narrow spaces or locations where the robot may be suspended in the air.

WARNING

- The product must be switched off and the plug must be removed from socket outlet before cleaning or maintaining the product.
- This product can be used by children aged from 8 years and above and persons with reduced physical, sensory or mental capabilities or lack of experience and knowledge if they have been given supervision or instruction concerning use of the product in a safe way and understand the hazards involved. Children shall not play with the product. Cleaning and user maintenance shall not be made by children without supervision.
- Do not use wet cloth or liquids for cleaning the charging contacts.
- Do not dismantle, repair or modify the battery or charging dock.
- If the dock is placed in an area susceptible to thunderstorms or with unstable voltage, take protection measures.
- Keep the charging dock away from heat (such as radiators).

SAVE THESE INSTRUCTIONS

- Household use only.
- To reduce the risk of electric shock, this appliance has a polarized plug (one blade is wider than the other). This plug will fit in a polarized outlet only one way. If the plug does not fit fully in the outlet, reverse the plug. If it still does not fit, contact a qualified electrician to install the proper outlet. Do not change the plug in any way.

FCC/IC Statement

Compliance Information	
Product Name	Auto-Empty Dock
Product Model	AED03LRR, AED04LRR
Compliance Statement	<p>This device complies with Part 15 of the FCC Rules. Operation is subject to the following two conditions: (1) this device may not cause harmful interference, and (2) this device must accept any interference received, including interference that may cause undesired operation.</p> <p>This device contains licence-exempt transmitter(s)/receiver(s) that comply with Innovation, Science and Economic Development Canada's licence-exempt RSS(s). Operation is subject to the following two conditions: (1) This device may not cause interference. (2) This device must accept any interference, including interference that may cause undesired operation of the device.</p>
Correspondence of the responsible party in USA	
Company	Roborock Technology Co.
Address	108 West 13th Street, Wilmington, Delaware 19801.
Email	support@roborock.com

FCC/IC Statement

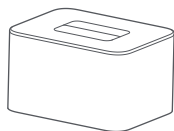
Warning

Any changes or modifications to this unit not expressly approved by the party responsible for compliance could void the user's authority to operate the equipment.

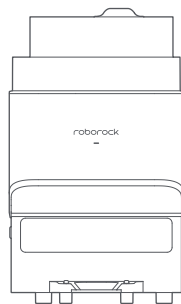
This equipment has been tested and found to comply with the limits for a Class B digital device, pursuant to part 15 of the FCC Rules. These limits are designed to provide reasonable protection against harmful interference in a residential installation. This equipment generates, uses and can radiate radio frequency energy and, if not installed and used in accordance with the instructions, may cause harmful interference to radio communications. However, there is no guarantee that interference will not occur in a particular installation. If this equipment does cause harmful interference to radio or television reception, which can be determined by turning the equipment off and on, the user is encouraged to try to correct the interference by one or more of the following measures:

- Reorient or relocate the receiving antenna.
- Increase the separation between the equipment and receiver.
- Connect the equipment into an outlet on a circuit different from that to which the receiver is connected.
- Consult the dealer or an experienced radio/TV technician for help.

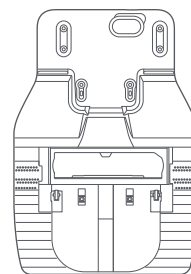
Accessories



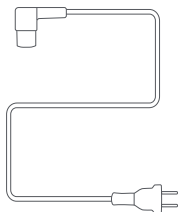
Dustbin Cover



Dustbin (Disposable Dust Bag Pre-Installed)



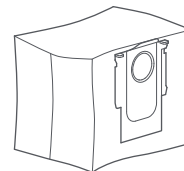
Base



Power Cable



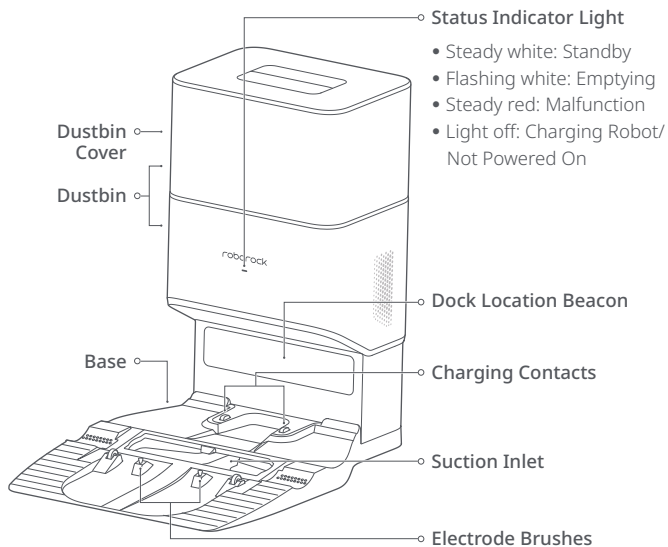
Screwdriver



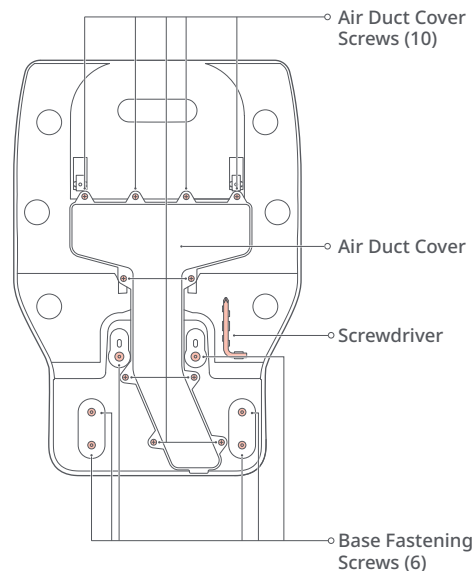
Disposable Dust Bag

Product Introduction

Auto-Empty Dock

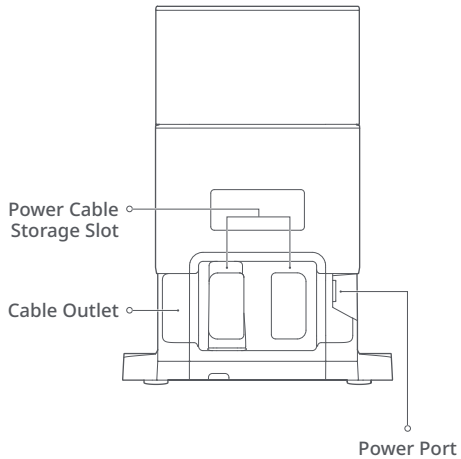


Base



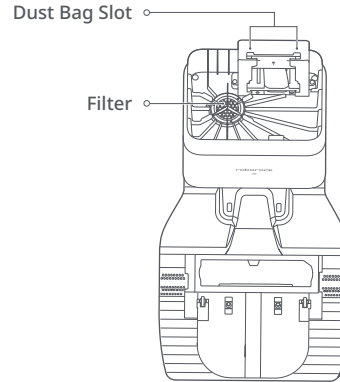
Product Introduction

Power Cable Storage

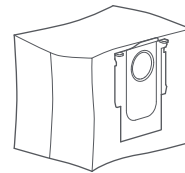


Note: Power cable can be pulled out at both sides.

Auto-Empty Dock (Cover Removed)



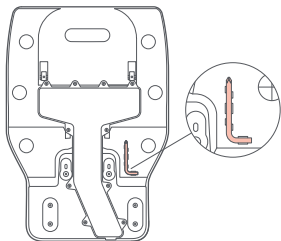
Dust Bag



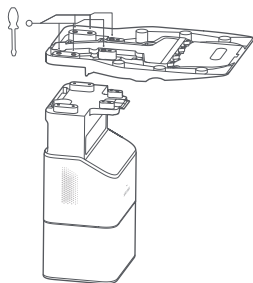
Getting Started

Assembly

1. Take the screwdriver from its storage bin at the bottom of the base.

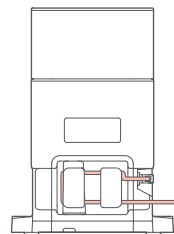


2. Place dock upside down on a soft, flat surface (carpet/towel/ cloth) and attach the base by using the six screws provided.

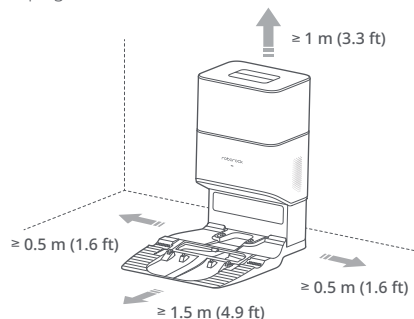


Note: Hold the dustbin cover securely when upside down to prevent damage from falling.

3. Connect the power cable to the dock, and keep excess cable inside the storage slot.



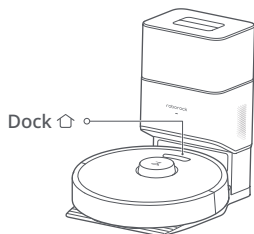
4. Place the dock on a hard and flat floor (wood/tile/concrete etc.). Keep at least 0.5 m (1.6 ft) of clearance on either side, 1.5 m (4.9 ft) in front, and 1 m (3.3 ft) above. Check the location has good WiFi then plug it in.



Getting Started

Emptying

Auto-emptying will begin when the robot returns to the dock after cleaning. Press the Dock button to trigger emptying manually. Press any button to stop emptying.



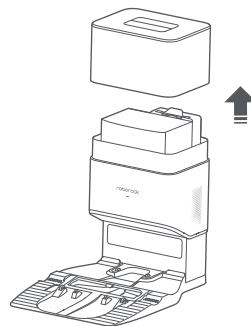
Notes:

- The status indicator light turns off automatically when the robot is charging.
- Do not use without dustbin cover or dust bag.
- Place the dock on a flat floor away from fire, heat, and water. Avoid narrow spaces or locations where the robot may be suspended in the air.
- Placing the dock on a soft surface (carpet/mat) may cause the dock to tilt over and cause problems docking and departing.
- Keep excess power cable inside the storage slot so that the robot will not get tangled in the cables, and the dock will not be dragged away or disconnect from the power supply.
- Keep the dock away from direct sunlight or anything that may block the dock location beacon; otherwise, the robot may fail to return to the dock.
- The Auto-Empty Dock recharges and empties. Store the standard robot dock before use. Failure to do so may cause issues returning to dock.
- Maintain the dock according to the maintenance instructions. Do not clean the dock with a wet cloth.
- Avoid frequent manual emptying.
- Images are for illustration purposes only and may not exactly represent the product.

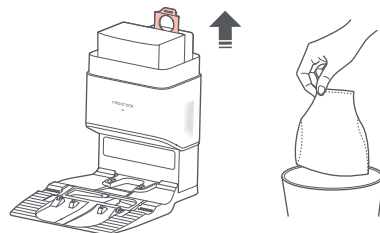
Routine Maintenance

1 Dust Bag Replacement * Replace as needed

1. Remove the dustbin cover vertically as shown.



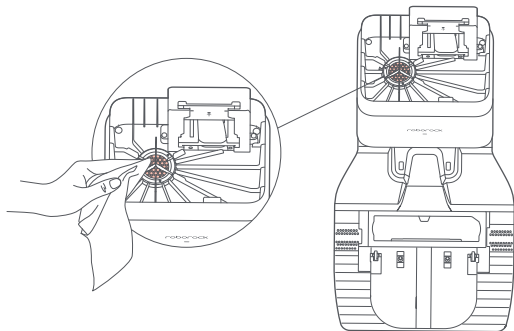
2. Lift the dust bag out of the dustbin and discard it.



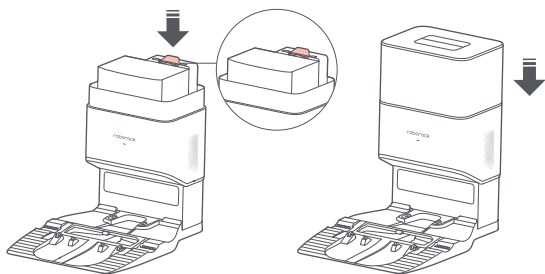
Note: The dust bag handle seals the bag on removal to prevent dust leakage.

Routine Maintenance

3. Clean the filter with a dry cloth.

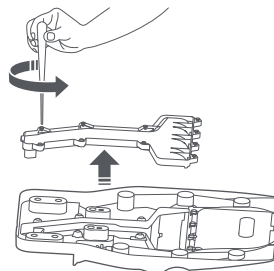


4. Install a new dust bag in place along the slot and put the dustbin cover back.

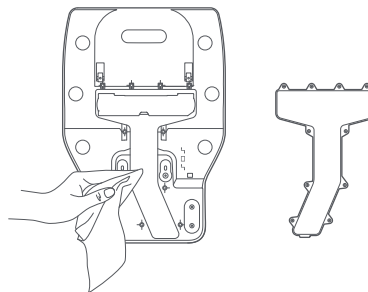


2 Air Duct * Clean as needed

1. Unscrew the screws (10) and remove the cover.

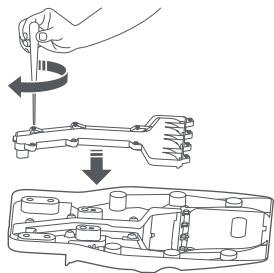


2. Wipe the air duct and cover with a dry cloth.



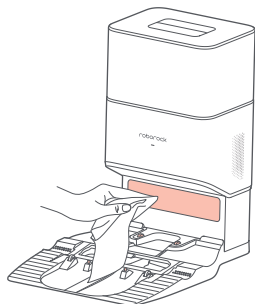
Routine Maintenance

3. Re-install the cover and screw it back in place.



3 Charging Area Cleaning * Clean as needed

Clean the dock location beacon, charging contacts, and electrode brushes with a dry cloth.



Basic Parameters

Auto-Empty Dock	
Name	Auto-Empty Dock
Model	AED03LRR, AED04LRR
Rated Input Voltage	120VAC
Rated Frequency	50-60Hz
Rated Input (Dust Collection)	9.5A
Rated Input (Charge)	0.5A
Rated Output	20VDC 1.2A
Charging Battery	14.4V/5200mAh lithium-ion battery

FAQs & Troubleshooting

Operating conditions are indicated by the LED status indicator light on the dock.

Conditions	Possible Causes & Solutions
Red LED indicator on the Auto-Empty Dock.	<ol style="list-style-type: none">1. The dustbin cover is not in place. Check and correct installation.2. The fan is not operating properly. Potentially due to overheating protection resulting from frequent starting and stopping. Unplug the power cable and try again after 30 minutes.3. Voltage error. Check that local voltage meets the requirements listed on the dock.
Reduced emptying performance or unusual noise when emptying.	<ol style="list-style-type: none">1. The robot dustbin has not been replaced with the auto-empty dustbin. Use the auto-empty dustbin.2. The plate covering the air vent has not been removed. Remove the plate.3. The main brush or main brush cover is not properly installed. Check and correct installation.4. The filter, air duct, suction inlet, air inlet, or dustbin is blocked. Clean to remove blockages.
Auto-emptying does not start when the robot returns to the dock.	<ol style="list-style-type: none">1. Auto-emptying is disabled. Check in-app settings.2. Dustbin cover is not in place. Check and install.3. Auto-emptying will not be triggered if the robot is moved to the dock manually. Start emptying manually.4. Auto-emptying will not be triggered if the robot returns to the dock without cleaning.5. The robot will not auto-empty after returning to the dock in Do Not Disturb (DND) mode. Adjust cleaning or DND duration, or start emptying manually.6. The battery level is lower than 10%. Charge the robot until the battery reaches 10%.
The robot cannot return to the dock or cannot be charged.	<ol style="list-style-type: none">1. The dock is surrounded by obstacles. Clear any obstacles around it or move it to an open area as recommended in the User Manual.2. The dock is not connected to a power supply. Make sure the power cable is securely plugged in and power is on.3. Poor contact. Clean charging contacts.

If the problem persists after using the recommendations in the table above, contact our support team at:
support@roborock.com (United States/Canada/Non-Europe)
1-855-960-4321 (United States only)
1-833-421-1915 (Canada only)

Disposal

Correct disposal of this product, should not be disposed with other household wastes. To return your used device, please use the return and collection systems or contact the retailer where the product was purchased. They can take this product for environmentally safe recycling.